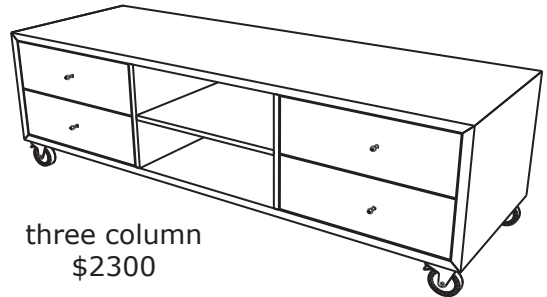


Hi-Fi furniture info

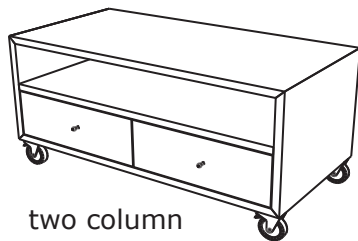
WILKINS and KENT



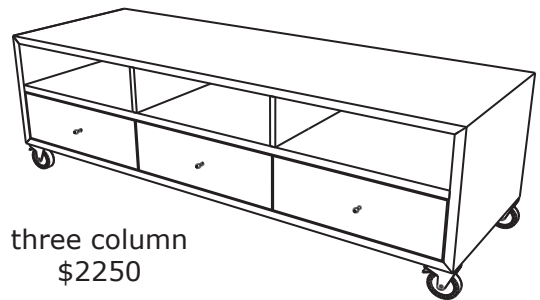
two column
\$1700



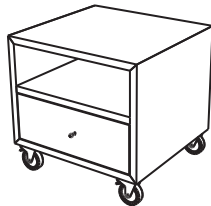
three column
\$2300



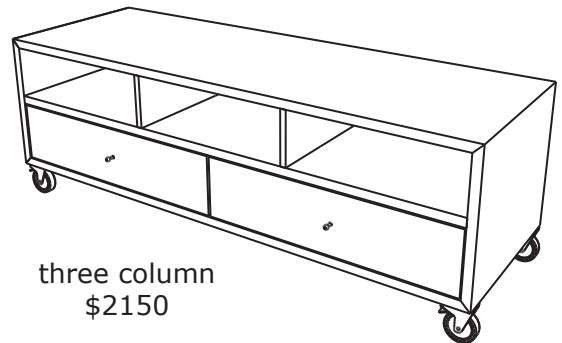
two column
\$1700



three column
\$2250



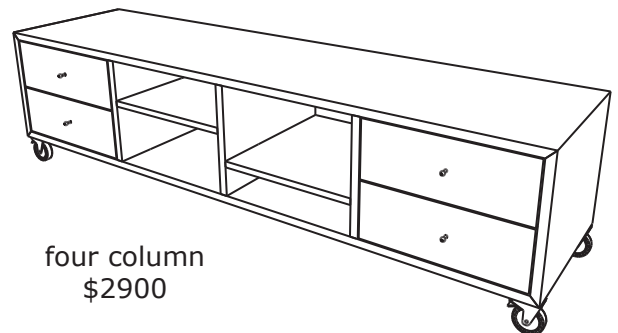
one column
\$850



three column
\$2150



one column
\$600



four column
\$2900

all cubes are 450 mm deep and 512mm high

If wooden feet are used instead of castors the unit is 472mm high
width 1col = 522 mm 2 col = 1008mm 3 col = 1494 mm 4 col = 1980 mm

Also available: hard wearing 2 pack finish in many colours.

2 pack comes in satin or gloss finish. Edges can be rounded or square.

These prices are based on painted interiors. Some timbers and finishes may incur extra cost.

For instance redgum is 10% extra and veneer interiors are 10% extra

230 brunswick street fitzroy vic.
372 little bourke street. melbourne

tel: 03 9419 5251
tel: 03 9670 5624

www.wilkinsandkent.com