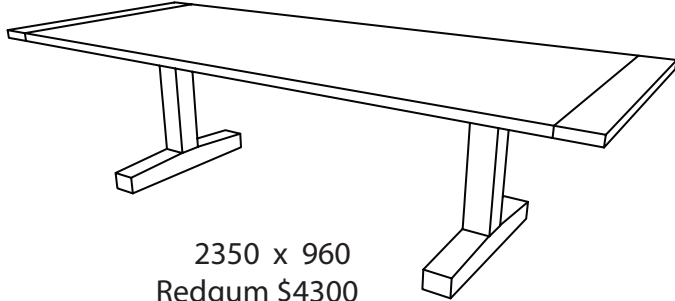


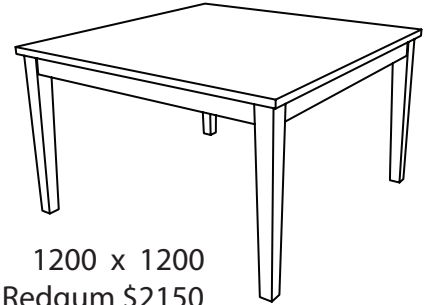
# WILKINS and KENT



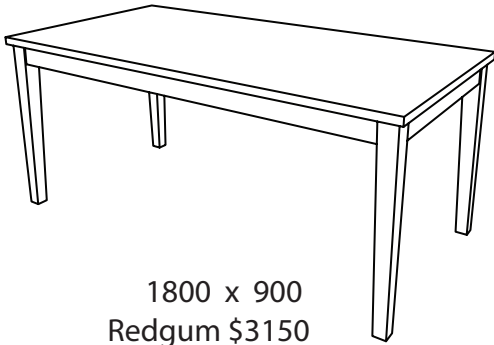
# table info



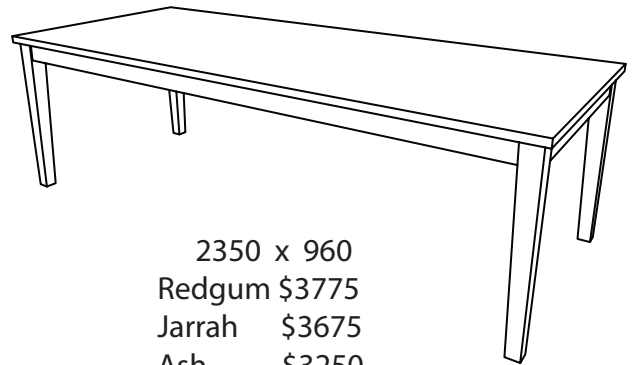
2350 x 960  
Redgum \$4300  
Jarrah \$4100  
Ash \$3750



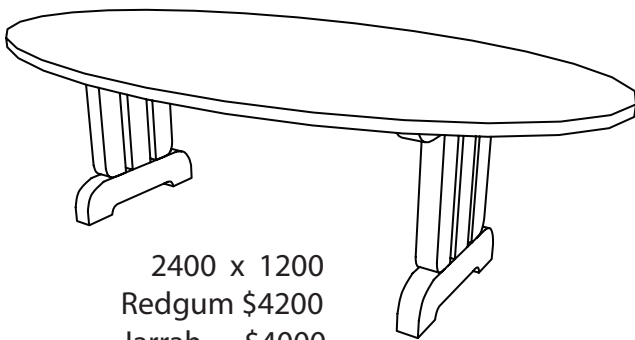
1200 x 1200  
Redgum \$2150  
Jarrah \$2050  
Ash \$1950



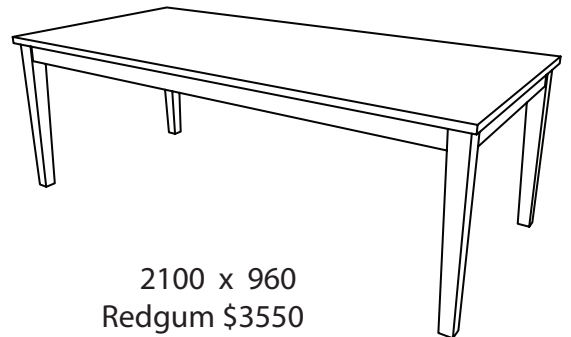
1800 x 900  
Redgum \$3150  
Jarrah \$3000  
Ash \$2600



2350 x 960  
Redgum \$3775  
Jarrah \$3675  
Ash \$3250



2400 x 1200  
Redgum \$4200  
Jarrah \$4000  
Ash \$3675



2100 x 960  
Redgum \$3550  
Jarrah \$3450  
Ash \$3100

All Tables are 750mm high. Other timbers such as myrtle, blackwood and oak are available. We use both recycled and sustainably harvested timber. Our tables are handmade in solid timber with hand fitted mortice and tenon joints employed for the table base. Our tables are finished by hand with a premium hard wearing satin finish.

230 brunswick street fitzroy vic.

tel: 03 9419 5251

[www.wilkinsandkent.com](http://www.wilkinsandkent.com)

372 little bourke street. melbourne

tel: 03 9670 5624